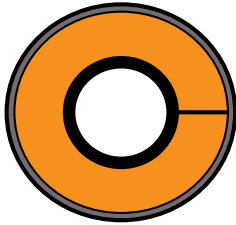
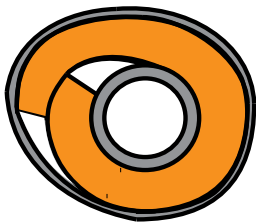


# METAL PIPE FIRE PROTECTION

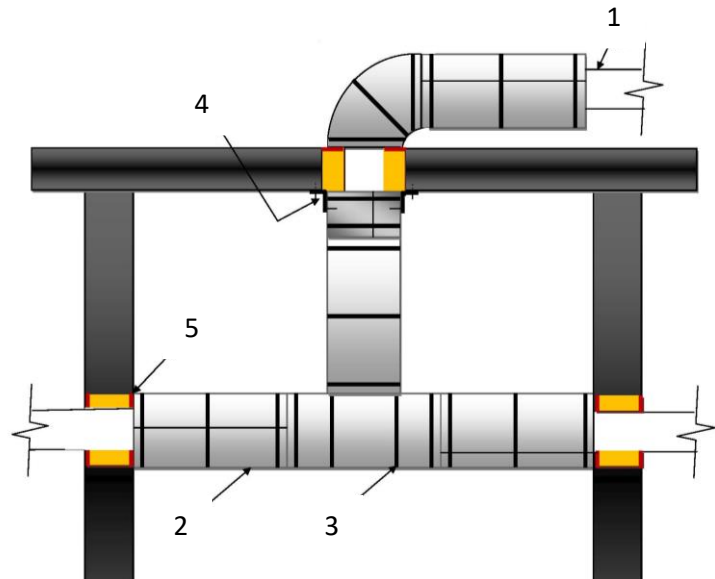
0-2 HOUR FIRE RATING



butted for 1-hour fire rating



overlap for 2-hour fire rating



1. For non-fuel Schedule 40 Steel, Cast Iron or Copper to 8" nominal diameter.
2. A single layer of CL4FIRE Fire Protection Thermal Insulation installed with seams tightly butted. Minimum 3/8" diameter steel threaded hanging support rods are allowed to extend through the insulation, but the opening must be snugly sealed with insulation or filled with 1/2" depth of a listed firestop caulking to a maximum opening size of 1/4". Joints should be foil taped with a 25/50 listed product for additional integrity. CL4FIRE may be installed in the longitudinal direction if desired. 1/2" wide stainless-steel banding installed 1 1/2" from both sides of insulation joints and maximum 8" apart.
3. CL4FIRE material that tightly abutts the ceiling assembly must be secured within 4" below the ceiling height through the installation with minimum 2 weld pins installed maximum 4" apart around the pipe. Pin are attached to 4" wide sheet metal that is steel banded to the bare pipe using a minimum of 2 bands installed 1" above and 1" below the insulation pins. Alternately, the insulation may be supported by equally spaced steel 'L' shaped brackets fastened to the substrate with steel fasteners and supporting the CL4FIRE insulation with minimum 1" long impaling pins or screws.
4. CL4FIRE insulation must snugly abutt or pass through any listed firestop system on both sides of a concrete or gypsum floor or wall assembly.
5. CL4FIRE insulation must snugly abutt or pass through any listed firestop system on both sides of a concrete or gypsum floor or wall assembly.